



PRO-PACK MATERIALS PTE. LTD.

Blk 970, Toa Payoh North, \$04-18, Toa Payoh Industrial Estate,
Singapore 318992.

Tel: (65) 63541511 Fax: (65) 63541711

Website : www.pro-pack.com.sg

SPECIFICATION FOR MAGNIFYING LAMP POWER: 6 WATT

Model: PPM-228L

Features:

LED lamp radiates bright, stable and reliable light, no flash feeling and is not harmful to people's eyesight. Integration of magnifying and lighting makes it can view the things in a subtle way and more clearer. By changing different lens, you can choose different magnification as you need. Flexible arm allows you to adjust the viewing position and angle at will.

Application:

It is suitable to observing or checking the mini components or components densely PCB by the electronic engineers. It is also applicable to the situation where needs lighting and magnifying, such as chemical engineering, printing industry, philately, propagation specimen manufacture, jewelry, students or the old people read books and newspapers, medical personnel or beautician etc.

Replacing LED Lamp:

△Caution:

- *Be sure to disconnect the power plug before change the LED lamp.*
- *Take down the magnifier and place carefully after disassembling the transparent lamp cover.*

1. Unscrew the fixing screws on the transparent lamp cover and then take down the transparent lamp cover and magnifier.
2. Unscrew the three fixing screws on the LED lamp PCB, and then take down the LED lamp PCB.
3. De-soldering the useless LED light and then soldering a new one.
4. After changing all the useless LED lights, install the magnifying lamp as the observing order of the disassembly.

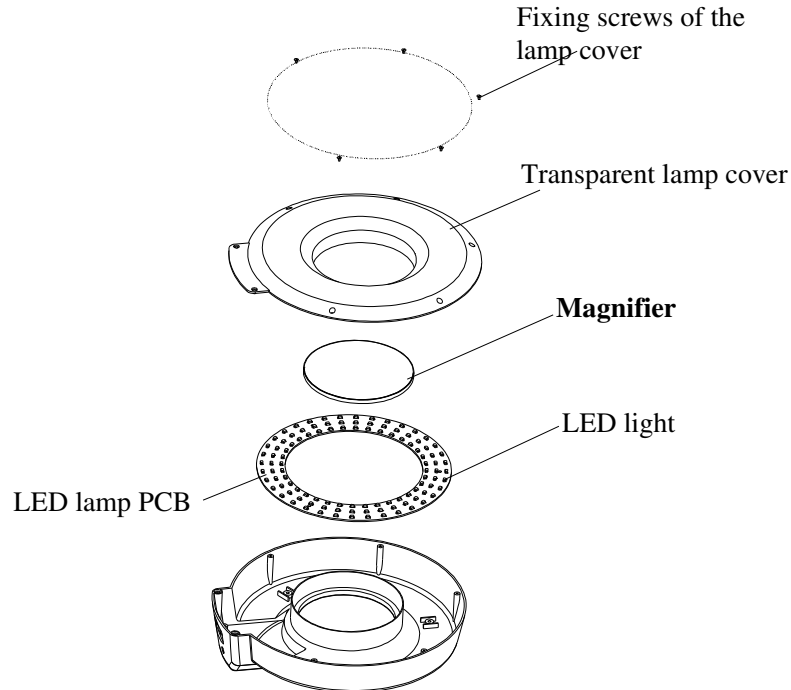


PRO-PACK MATERIALS PTE. LTD.

Blk 970, Toa Payoh North, \$04-18, Toa Payoh Industrial Estate,
Singapore 318992.

Tel: (65) 63541511 Fax: (65) 63541711

Website : www.pro-pack.com.sg



The Assembling Drawing:

Different installing arm and clamp has different installing method. The detailed installing methods are as followings:

- **Table- clamping with Folding Arm**

1. Fasten the clamp to the table, and make it firm by screwing down the screw on the clamp.
2. Insert the arm into the hole.
3. Insert the power cord plug into the power supply socket.

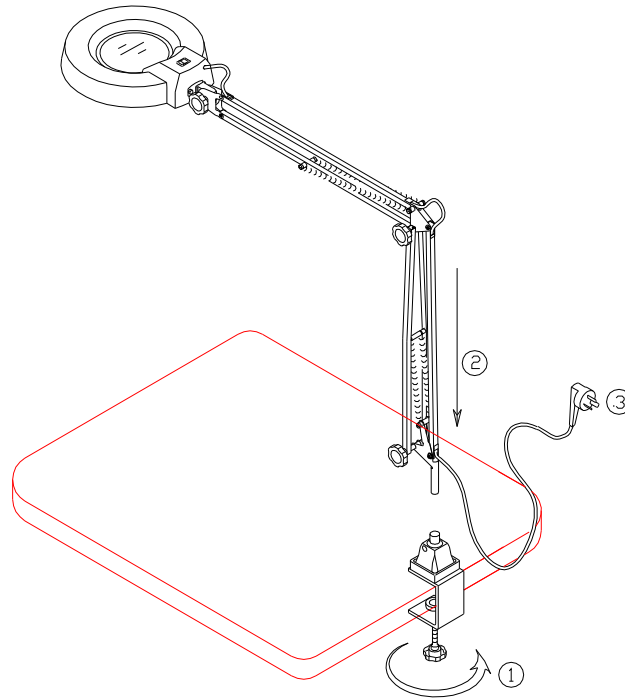


PRO-PACK MATERIALS PTE. LTD.

Blk 970, Toa Payoh North, #04-18, Toa Payoh Industrial Estate,
Singapore 318992.

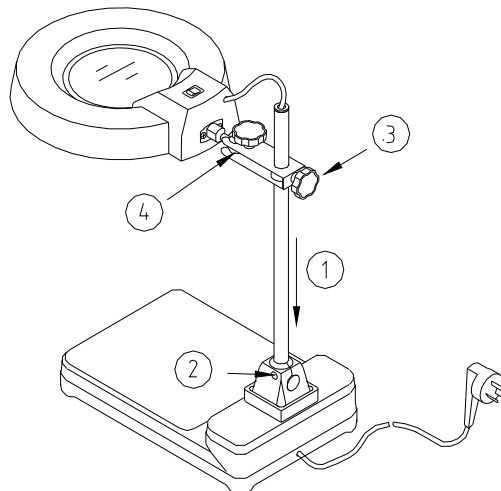
Tel: (65) 63541511 Fax: (65) 63541711

Website : www.pro-pack.com.sg



- **Desktop with Pole-supported Arm**

1. Please install the magnifying lamp as the order (1), (2), (3), (4)
2. Direct the dent of arm to the hole (2).
3. Insert the power cord plug into the power supply socket





PRO-PACK MATERIALS PTE. LTD.

Blk 970, Toa Payoh North, \$04-18, Toa Payoh Industrial Estate,
Singapore 318992.

Tel: (65) 63541511 Fax: (65) 63541711

Website : www.pro-pack.com.sg

- **Desktop with Folding Arm**

1. Please install the magnifying lamp as the order ①, ②.
2. Direct the dent of arm to the hole ②.
3. Insert the power cord plug into the power supply socket

