



PRO-PACK MATERIALS PTE. LTD.

Blk 970, Toa Payoh North, # 04-18, Toa Payoh Industrial Estate,
Singapore 318992.

Tel: (65) 63541511 Fax: (65) 63541711

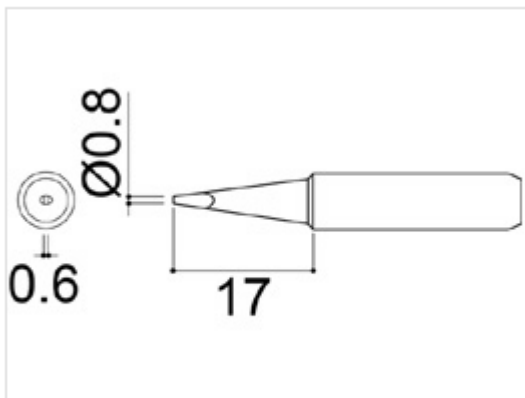
Website : www.pro-pack.com.sg

SPECIFICATION FOR SOLDERING TIPS

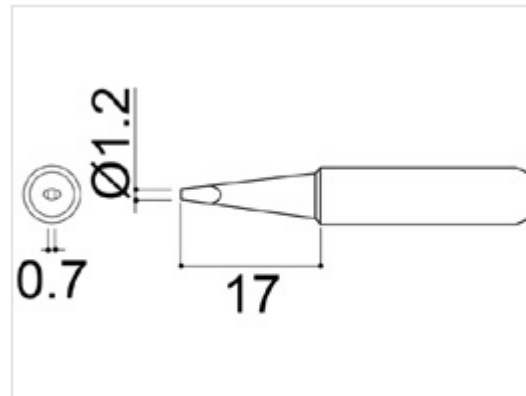
900M SERIES:

SHAPE-D

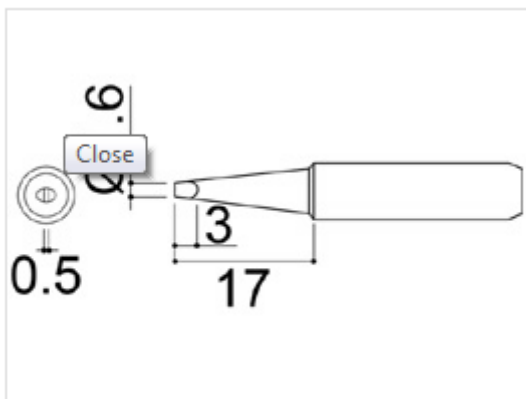
This type has a shape like a flat-blade screwdriver and is capable of soldering by applying the tip in 2 ways: line and face. The width (size of tip) suitable for the work piece can be selected, and it can be used for any soldering work.



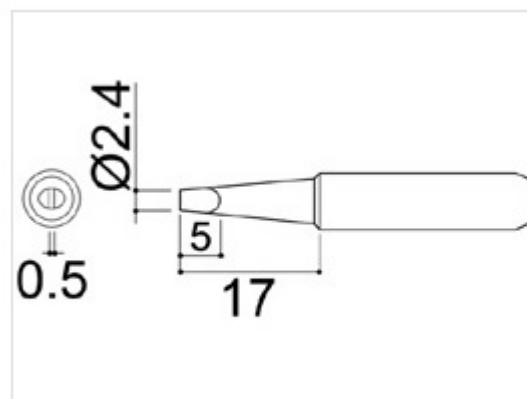
900M-T-0.8D Shape-0.8D



900M-T-1.2D Shape-1.2D



900M-T-1.6D Shape-1.6D



900M-T-2.4D Shape-2.4D



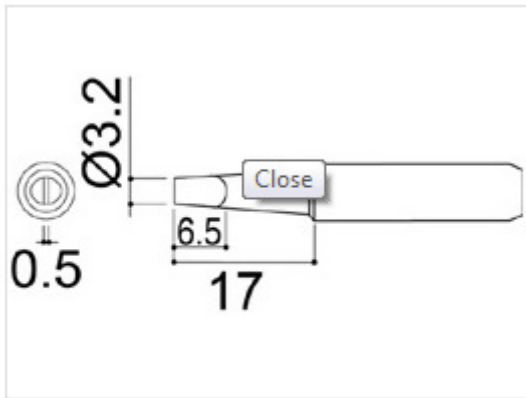
PRO-PACK MATERIALS PTE. LTD.

Blk 970, Toa Payoh North, # 04-18, Toa Payoh Industrial Estate,
Singapore 318992.

Tel: (65) 63541511 Fax: (65) 63541711

Website : www.pro-pack.com.sg

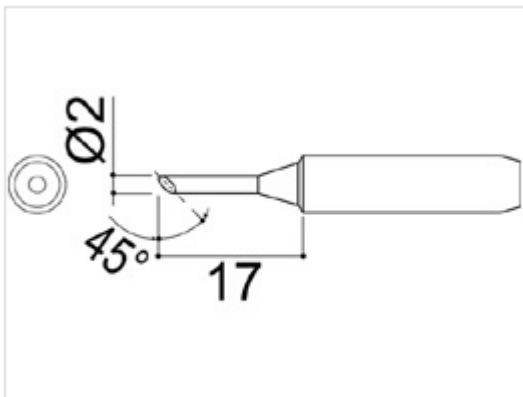
Continuation for shape-D



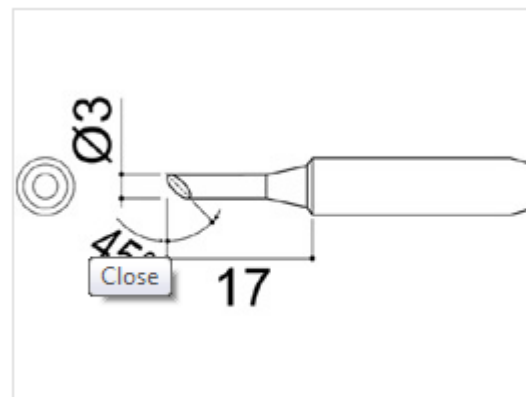
900M-T-3.2D Shape-3.2D

SHAPE-C

This type has a shape like a cone or column cut at a slant, which allows users to select the cut surface size depending on the workpiece. It is used for drag soldering and pre-tinning of lead wires.



900M-T-2C Shape-2C



900M-T-3C Shape-3C



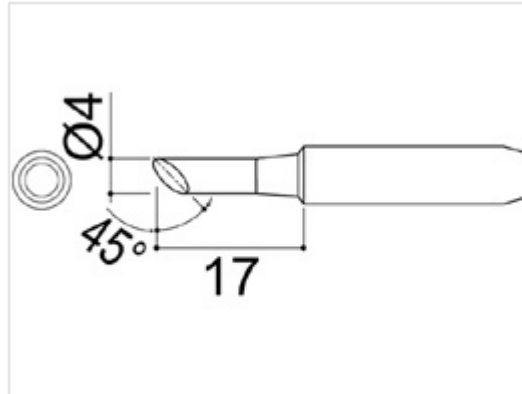
PRO-PACK MATERIALS PTE. LTD.

Blk 970, Toa Payoh North, # 04-18, Toa Payoh Industrial Estate,
Singapore 318992.

Tel: (65) 63541511 Fax: (65) 63541711

Website : www.pro-pack.com.sg

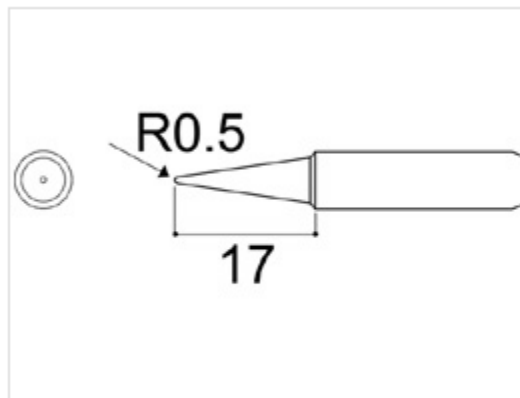
Continuation for shape-C



900M-T-4C Shape-4C

SHADE-B

All-round type which can be used from any direction and is easy to hold at any position.
Possible to solder any surface from small to large.



900M-T-B Shape-B



PRO-PACK MATERIALS PTE. LTD.

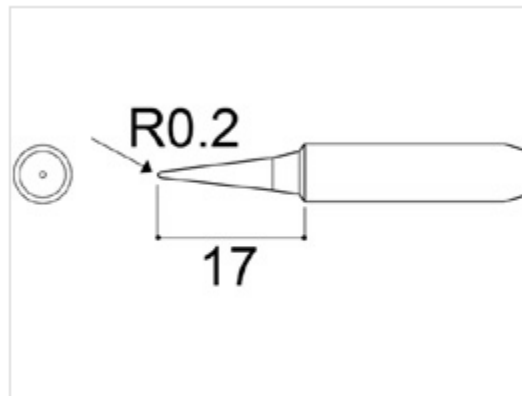
Blk 970, Toa Payoh North, # 04-18, Toa Payoh Industrial Estate,
Singapore 318992.

Tel: (65) 63541511 Fax: (65) 63541711

Website : www.pro-pack.com.sg

SHAPE-I

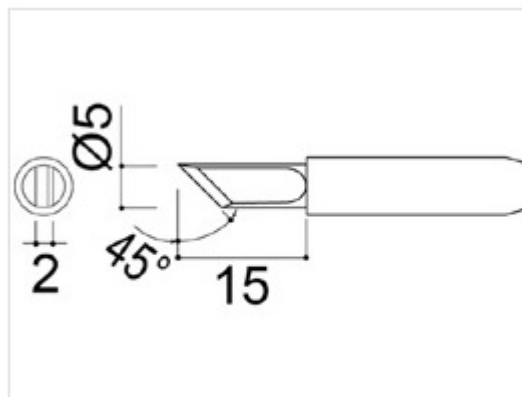
This type has a thin conical end and is an ultrafine tip which is best suited for soldering at narrow pitches, etc. It is the best for soldering micro components such as 0603, etc. and for repairing high-density-mounting P.W.Bs. such as in cellular phones, etc.



900M-T-I Shape-I

SHAPE-K

This type has a shape like a knife and is capable of soldering by applying the tip in 3 ways: line, face and point. It is used for soldering at narrow pitches, correction of bridging and drag soldering.



900M-T-K Shape-K



PRO-PACK MATERIALS PTE. LTD.

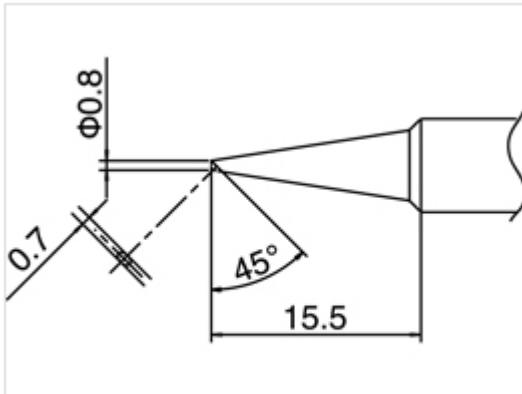
Blk 970, Toa Payoh North, # 04-18, Toa Payoh Industrial Estate,
Singapore 318992.

Tel: (65) 63541511 Fax: (65) 63541711

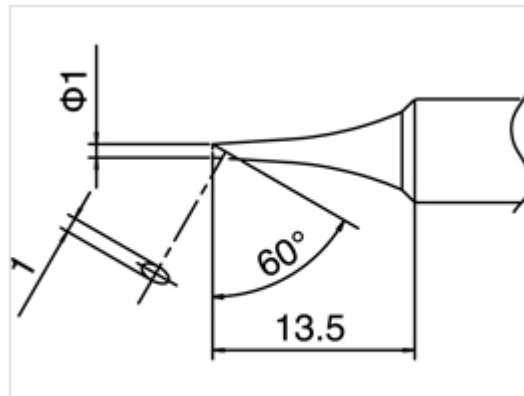
Website : www.pro-pack.com.sg

T18 SERIES

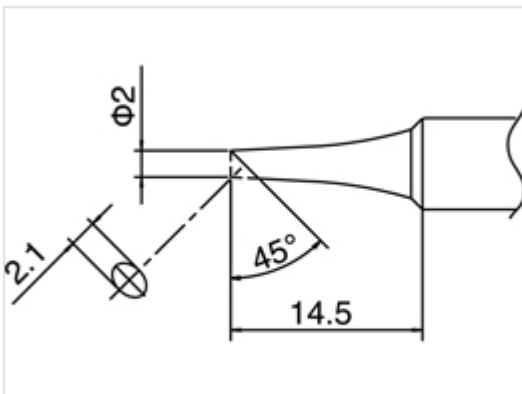
This type has a shape like a cone or column cut at a slant, which allows users to select the cut surface size depending on the work piece. It is used for drag soldering and pre-tinning of lead wires.



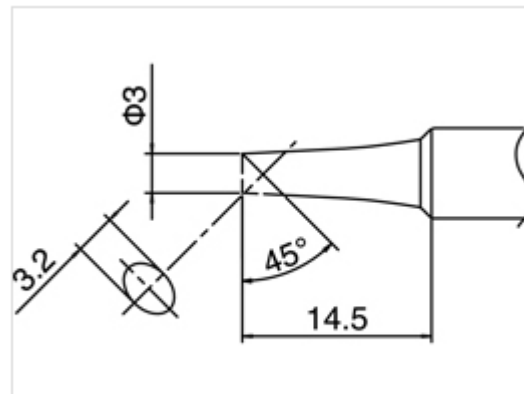
T18-C08 Shape-0.8C



T18-C1 Shape-1C



T18-C2 Shape-2C



T18-C3 Shape-3C